

Features

- Matching two-function side sprayer featuring Sweep™ Spray and BerrySoft™ provides convenience for cleaning and food prep
- High-arch spout with 360° spout rotation offers superior clearance for filling pots and cleaning
- KOHLER ceramic disc valves exceed industry longevity standards for a lifetime of durable performance
- ProMotion™ technology's light, quiet braided hose and swiveling ball joint make the side sprayer easier and more comfortable to use
- MasterClean™ sprayface features an easy-to-clean surface that withstands mineral buildup
- Single lever handle is simple to use and makes adjusting water temperature easy
- Temperature memory allows faucet to be turned on and off at the temperature set during prior usage
- Available with 8-1/2" (216 mm) swing spout reach
- 1.5 gpm (5.7 lpm) maximum flow rate at 60 psi (4.14 bar)

Material

- Premium metal construction for durability and reliability
- KOHLER finishes resist corrosion and tarnishing

Installation

- For two-hole or four-hole installation (three-hole escutcheon available; sold separately, K-99272)
- Flexible supply lines simplify installation

Adapters, Rough-in and Extension Kits

1012715	Range: 3-1/4" (83 mm) - 5-3/8" (137 mm)
1030920	Range: 2-11/16" (68 mm) - 3-3/4" (95 mm)



ADA CSA B651

Codes/Standards



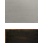


ASME A112.18.1/CSA B125.1
NSF/ANSI/CAN 61
NSF/ANSI/CAN 372
All applicable US Federal and State material regulations
DOE - Energy Policy Act 1992
California Energy Commission (CEC)
ADA
ICC/ANSI A117.1
CSA B651

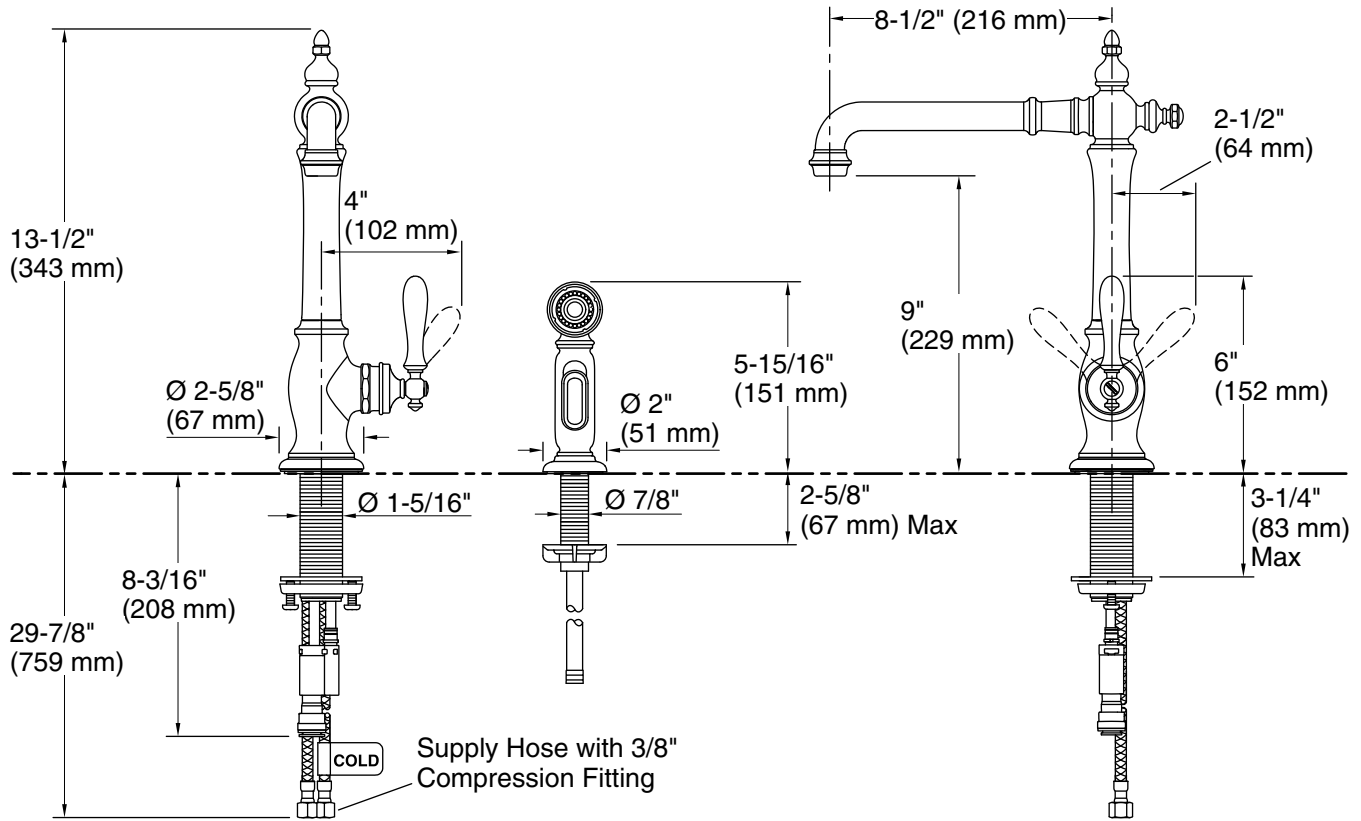
KOHLER® Faucet Lifetime Limited Warranty

See website for detailed warranty information.

Available Colors/Finishes

Color tiles intended for reference only.

Color	Code	Description
	CP	Polished Chrome
	SN	Vibrant™ Polished Nickel
	VS	Vibrant™ Stainless
	2BZ	Oil-Rubbed Bronze
	2MB	Vibrant™ Brushed Moderne Brass



Technical Information

All product dimensions are nominal.

Spout:

Spout reach: 8-1/2" (216 mm)

Notes

Install this product according to the installation guide.

ADA complaint for faucet handles only.

ADA, CSA B651 compliant when installed to the specific requirements of these regulations.